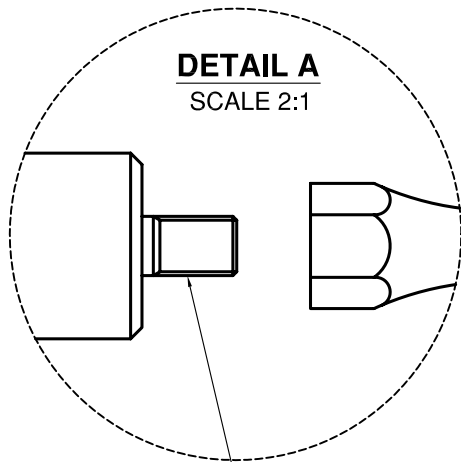
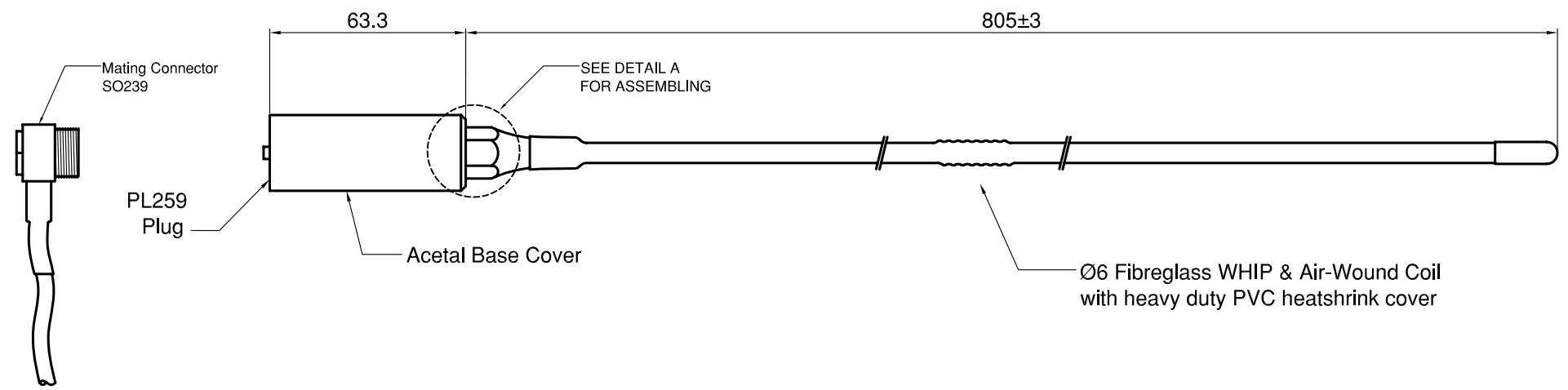


3rd ANGLE PROJECTION

THIS DOCUMENT AND THE DESIGN SHOWN THEREON IS THE PROPERTY OF ROJONE PTY LTD AND MUST NOT BE SOLD, LENT, GIVEN AWAY, COPIED, REPRODUCED OR OTHERWISE DIVULGED TO ANY THIRD PARTY OR USED FOR MANUFACTURE, OR ANY OTHER PURPOSE WITHOUT DIRECT WRITTEN PERMISSION OF ROJONE PTY LTD.

DO NOT SCALE

REVISION	DATE	CHECKED
A	2011-11-17	B.G.



DETAIL A
SCALE 2:1

5/16" 26TPI THREAD
10 MIN LG THREAD

SPEC for A-326-460

- Freq Range:** 450-470MHz
- Band Width:** 5 MHz
- Gain:** 5.5dB over Ground
- Style:** 5/8 over 5/8 Wave Style
- Impedance:** 50 Ohm
- VSWR:** <1.5:1 over 5 MHz
- Mounting:** PL 259
(using SO239 for mating Conn)

UNLESS OTHERWISE STATED ALL DIMENSIONS ARE IN MILLIMETRES (mm) TOLERANCE: LINEAR ±0.1 ANGULAR ±1° REMOVE ALL BURRS AND SHARP EDGES

		ROJONE PTY LTD ACN 002691241 44 AERO RD INGLEBURN 2565 SYDNEY, AUSTRALIA Ph: (612) 9829 1555 Fax: (612) 9605 8812 Web: www.rojone.com.au E-mail: sales@rojone.com.au		TITLE INTERFACE DRAWING FOR UHF MOBILE GROUND INDEPENDENT ANTENNA A-326-460	
		MATERIAL N/A		DRWN Y. GU	
FINISH N/A		CHECKED B. G.		SCALE 1:1 SHEET 1 OF 1	
		APPROVED B. G.		FILENAME 009001001316ISSA.DWG	
				DRWG No: 009001001316	

A2