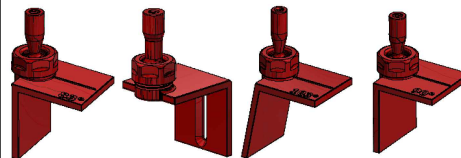
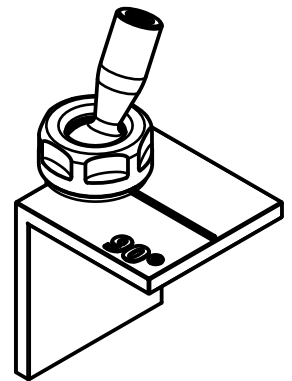
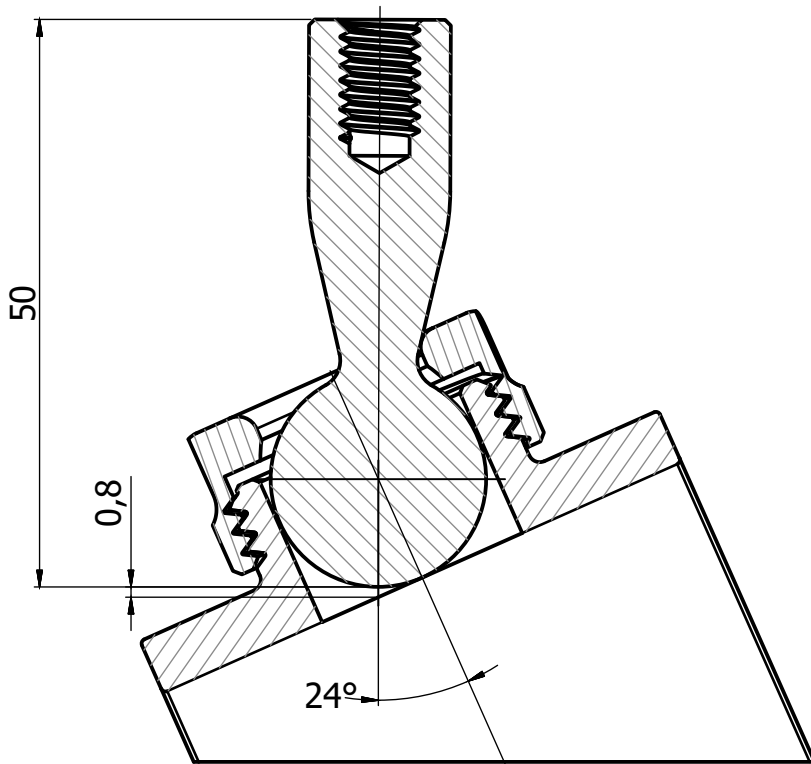


A-A ( 1.5 : 1 )



General Tolerances  
ISO 2768 - mK



Safety



Unit of measure: mm

Scale: -

Quantity: -

Weight : -

Drawing Name:

Material:  
Treatment:

TOLERANCE SFERE

	Date	Name	Equipment Code: -	Drawing Code: -
Drawn by				
Checked by				
Standard				